

Barrel press FP 200



Construction

- Stable portal frame with 160 mm reinforced U-profiles
- Chamber and door thickness 4 mm reinforced with 40 mm U-Profiles, and a distance from 300 to 400 mm
- Stable door lock with 25 mm (aperture of material)
Excentric-lock for an easy and controlled opening and closing of the press chamber
- Side walls with 260 mm reinforced U-Profiles
- Machine weight: 1.645 kg

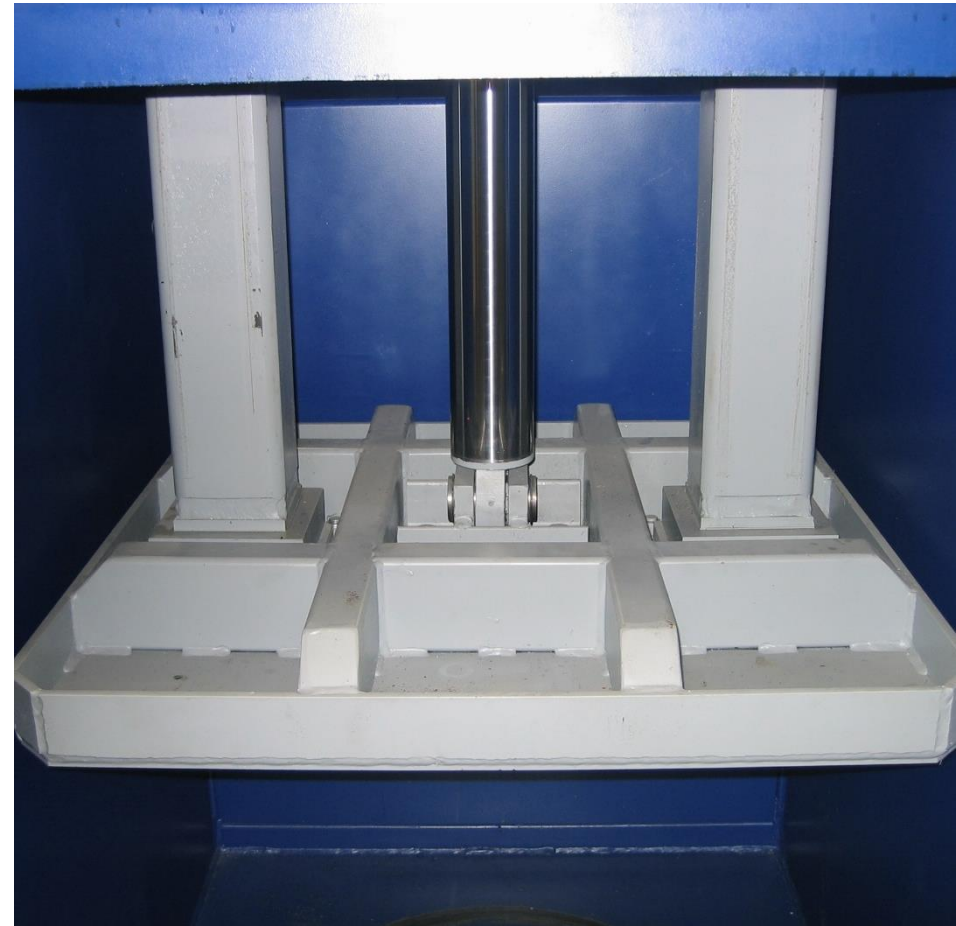


>> Very stable construction

Guiding system TopPlus®

The stable guiding system TopPlus® improves admission of power at the pressplate by one-sided load. One-side load can occur if a barrel is not placed centrally in the presschamber. The unequal working forces - which affect the pressplate - are absorbed by TopPlus®. Other bearing components are thereby relieved. Durability is increased. The removable guiding bars made of polyamid are subject of low erosion.

>> Long lifetime



Equipment

Four spikes (replaceable) puncture the barrel, allowing air to escape. Result is a controlled compaction of the barrels.

Four bore holes, located in the bottom of the chamber, allow selective discharge of residual liquids from the barrels.

The easy manageable collecting tray (20 l) collects residual liquids dropping from the press chamber .



Integrated spikes



Drain of residual liquids



Collecting tray

Up to 90 % volume reduction



Dimension uncompacted barrel:
ca. 90 cm

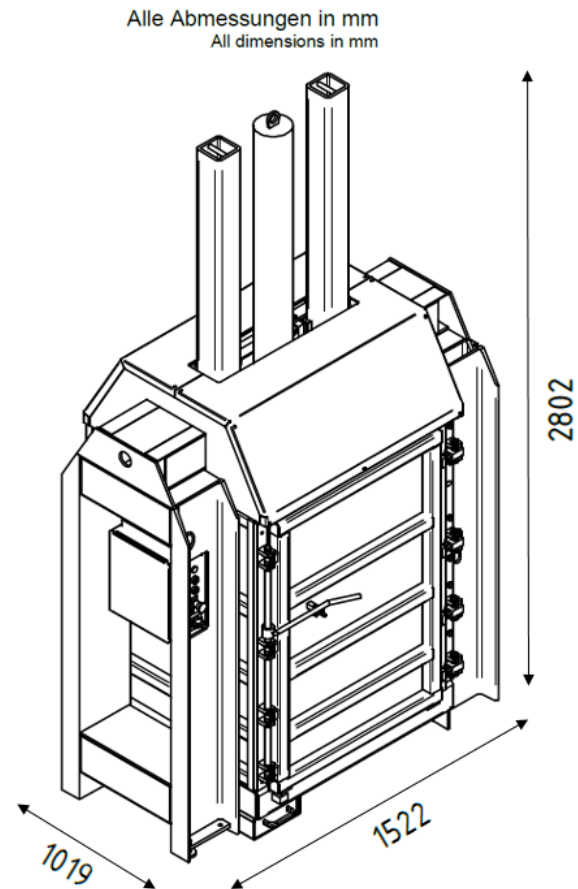
Dimensions compacted barrel:
ca. 10 cm

>> Saving of transportation

costs and space

 Barrels that have contained explosive materials, must not be pressed!

Dimensions FP 200



Profitable disposal

Improve your disposal logistics and thereby preserve the environment



Strautmann Umwelttechnik GmbH
Heidestr. 9, 49219 Glandorf



info@strautmann-umwelt.de



+49 (0) 5426 80777-0



www.strautmann-umwelt.com